



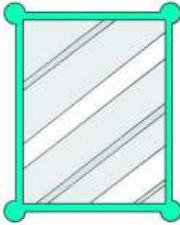

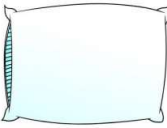
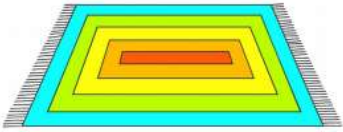
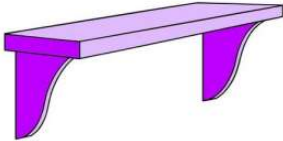


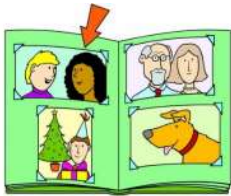
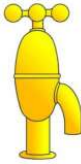

Home Objects

おうちにあるもの

1. What's the word?

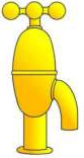

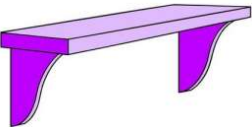

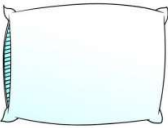
Write the correct word under the pictures.

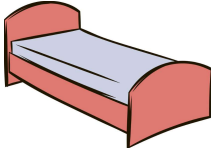




<i>television</i>	<i>clock</i>	<i>tap</i>	<i>mirror</i>
<i>picture</i>	<i>shelf</i>	<i>photo</i>	<i>lamp</i>
<i>trash bin</i>	<i>telephone</i>	<i>pillow</i>	<i>rug</i>

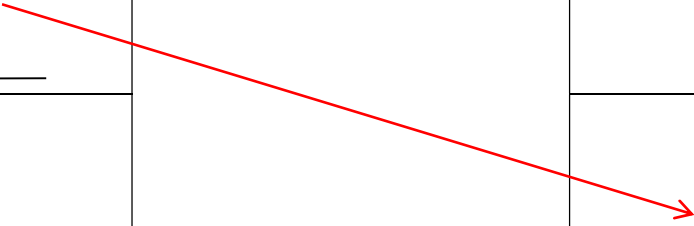
 <p>1 <u>clock</u></p>	 <p>2 _____</p>	 <p>3 _____</p>	 <p>4 _____</p>
 <p>5 _____</p>	 <p>6 _____</p>	 <p>7 _____</p>	 <p>8 _____</p>
 <p>9 _____</p>	 <p>10 _____</p>	 <p>11 _____</p>	 <p>12 _____</p>

2. Match them up!

Write the word under the pictures and draw a line match them up.

 1 <u>tap</u>
 2 _____
 3 _____
 4 _____
 5 _____

 bed
 water
 trash
 light
 books



3. Charades!

The teacher gives clues by acting and you have to guess the answer using the words in the box.

tap	trash bin	shelf	pillow
-----	-----------	-------	--------